

# XB / XBM

Stability and Lifting Power

Capacity (kg): 1000 - 1200 - 1500

Lifting Height (mm): 800, 1600, 2500, 3000, 3500

MANUAL & ELECTRIC  
LIFT STACKERS

## ■ XB

Manual movement, electro-hydraulic lifting with high structural stability to express the maximum lifting power, for maximum lifting power, a solution that is both simple and economical. Single or two-stage mast for lifting up to 3.5 meters.



## ■ XBM

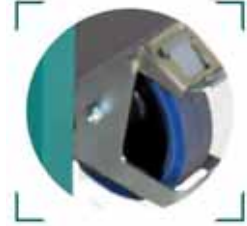
Completely manual version to facilitate the easy movement of loads thanks to the handy steering handlebar. Single stage mast for lifting between 800 and 1600 mm.

## ■ XB / XBM 08

For lift heights of 800 mm or less, a special short version offers increased visibility, better handling and compact dimensions.



Features in detail:



### ■ FOOT BRAKE + FOOT GUARD:

Pedal parking brake that is installed in the right steering wheel; fixed crushproof foot guard in both wheels.



### ■ STEERING ARM:

Handle bar directly controls the 2 rear steering wheels for manual movement of the truck.



### ■ ELECTRO-HYDRAULIC LIFTING (XB):

Lifting and lowering control switches are installed in a protective casing. An Emergency Stop switch cuts the power supply.



### ■ MANUAL LIFTING (XBM):

Quick lift hand pump with built-in lowering control makes lifting and lowering fast and easy.

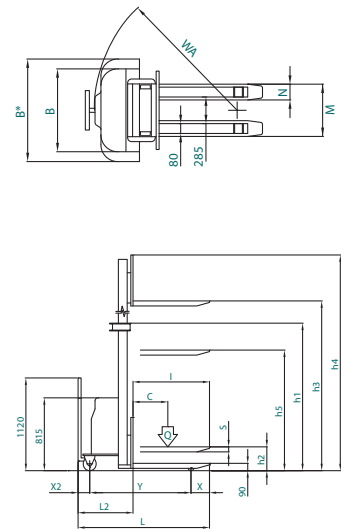


## XB [ 800 mm - 1600 mm ]

model		XB 12V 1008	XB 12V 1208	XB 12V 1508	XB 12V 1016	XB 12V 1216	XB 12V 1516
Q	Kg	1000	1200	1500	1000	1200	1500
C	mm	600	600	600	600	600	600
I	mm	1150	1150	1150	1150	1150	1150
L	mm	1755	1775	1795	1755	1775	1795
X	mm	380	380	380	380	380	380
X2	mm	235	235	235	235	235	235
Y	mm	1140	1160	1180	1140	1160	1180
L2	mm	600	620	640	600	620	640
M	mm	530	530	530	530	530	530
N	mm	160	160	160	160	160	160
h1	mm	1230	1230	1230	1990	1990	1990
h2	mm	800	800	800	1450	1450	1450
h3	mm	800	800	800	1600	1600	1600
h4	mm	1230	1230	1230	2120	2120	2120
B	mm	755	755	755	755	755	755
WA	mm	1320	1340	1360	1320	1340	1360

### STANDARD EQUIPMENT

- High free lift (simplex mast) • Built-in electronic battery charger 12V 15A with microprocessor • Forks control by push-buttons • Fixed forks length mm. 1150 • Electric end stroke • Parking Brake • Polyurethane single roller • Double steering wheels with extra-heavy castors, assembled on bearings • Rubber wheels • Drive steering mounted on bearings • Safety components • Manual Traction • Battery 12V 100AH (for 800/1600 mm lifting height)

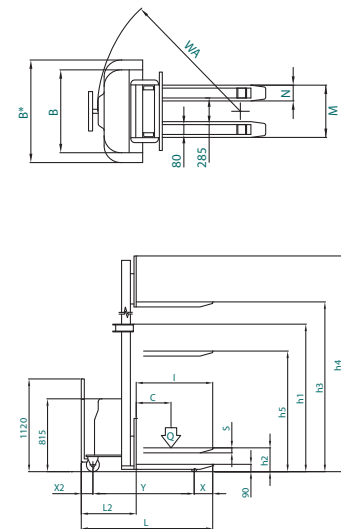


## XB [ 2500 mm - 3000 mm - 3500 mm ]

model		XB 12V 1025	XB 12V 1225	XB 12V 1525	XB 12V 1030	XB 12V 1230	XB 12V 1530	XB 12V 1035	XB 12V 1235	XB 12V 1535
Q	Kg	1000	1200	1500	1000	1200	1500	1000	1200	1500
C	mm	600	600	600	600	600	600	600	600	600
I	mm	1150	1150	1150	1150	1150	1150	1150	1150	1150
L	mm	1790	1810	1830	1790	1810	1830	1790	1810	1830
X	mm	415	415	415	415	415	415	415	415	415
X2	mm	235	235	235	235	235	235	235	235	235
Y	mm	1140	1160	1180	1140	1160	1180	1140	1160	1180
L2	mm	640	660	680	640	660	680	640	660	680
M	mm	530	530	530	530	530	530	530	530	530
N	mm	160	160	160	160	160	160	160	160	160
h1	mm	1740	1740	1740	1990	1990	1990	2250	2250	2250
h2	mm	200	200	200	200	200	200	/	/	/
h3	mm	2500	2500	2500	3000	3000	3000	3500	3500	3500
h4	mm	3020	3020	3020	3520	3520	3520	4020	4020	4020
B	mm	755	755	755	755	755	755	1000*	1000*	1000*
WA	mm	1320	1340	1360	1320	1340	1360	1320	1340	1360

### STANDARD EQUIPMENT

- Free lift 200 mm (excluded lifting height mm. 3500) • Built-in electronic battery charger 12V 15A with microprocessor • Forks control by push-buttons • Fixed forks length mm. 1150 • Electric end stroke • Parking Brake • Polyurethane single roller • Double steering wheels with extra-heavy castors, assembled on bearings • Rubber wheels - Drive steering mounted on bearings • Safety components • Manual Traction • Battery 12V 155AH



## XBM

model		XBM 1008	XBM 1208	XBM 1016	XBM 1216
Q	Kg	1000	1200	1000	1200
C	mm	600	600	600	600
I	mm	1150	1150	1150	1150
L	mm	1755	1755	1755	1755
X	mm	380	380	380	380
X2	mm	235	235	235	235
Y	mm	1140	1160	1140	1160
L2	mm	600	620	600	620
M	mm	530	530	530	530
N	mm	160	160	160	160
h1	mm	1230	1230	1990	1990
h2	mm	800	800	1450	1450
h3	mm	800	800	1600	1600
h4	mm	1230	1230	2120	2120
B	mm	755	755	755	755
WA	mm	1320	1340	1320	1340

### STANDARD EQUIPMENT

- High free lift (simplex mast) • Lifting by manual double acting pump • Descent by handwheel • Fixed forks length mm. 1150 • Parking Brake • Polyurethane single roller • Double steering wheels with extra-heavy castors, assembled on bearings • Rubber wheels • Drive steering mounted on bearings • Safety components • Manual Traction

