



## J Series Reach Truck (seat-on)

with capacities of 1,200 to 2,000kg

The New J series Electric Reach Truck, 1.2-2.0 ton, apart from its excellent performance, is also very economical. The reach trucks are used wherever space is confined and where heavy loads are to be raised to high lift heights.

## Introduction

- / The driver's compartment, through generous dimensioning, provides the driver with a comfortable body position. The excellent all-around visibility and the low noise level add to the ease of working.
- / The operator compartment incorporates controls for hydraulic functions, direction control, horn, lights and handbrake, all within convenient reach of the operator. Padded armrest, rubber floor mat and resin coated control knobs ensure comfort for daylong operation. The tilt of the steering column can be freely adjusted to any degree.
- / Curtis made Multi-function instrument, together with the multi display monitor provide information and function input to the operator to allow optimum performance and operator confidence.
- / Drive and hydraulic control fitted as standard. MOSFET CHOPPER, Power transistors with high impulse frequencies control the motors in an energy saving and noiseless manner. The drive control permits jerk-free starting and a strong acceleration. Adjustable energy feedback on releasing the drive pedal through regenerative braking.
- / The chassis design and steering geometry provide an outstanding turning radius of 1675mm and reach stroke of 602mm (1.4 ton model). The steering angle of 90° in each direction further enhances maneuverability. These specifications ensure improved safety clearances in confined spaced with high loading.
- / Low noise, less pollution and energy saving, these features all satisfied with environment protection.
- / Drive and electronics cover may be opened quickly and easily for servicing and maintenance work. The service access door on the truck provides excellent access to the major service components. All motors, drive gearbox, pumps, brakes and steering are easily accessible.



## Standard Specification

- / PU drive wheel & support wheel
- / High capacity storage battery
- / Emergency disconnect switch
- / Arm rest, head protector
- / High elastic seat
- / Drive, lift, steering electric controlled
- / LED Instrument and LCD hour meter
- / 3 meters Duplex mast
- / Adjustable steering column
- / Front head lamp
- / CURTIS MOSFET chopper controller
- / Integrated sideshift
- / Front wheel protect cover

## Options

- / AC motor
- / Safety pedal
- / 4.3-8 meters Triplex mast
- / 2.7-4.5 meters Duplex mast
- / With attachment
- / Automatic high frequency charger
- / High capacity battery
- / Higher or wider backrest
- / Side battery change



# J Series Reach Truck (seat-on)

		HANGCHA GROUP CO.,LTD.													
Distinguishing marks	1.1	Manufacturer													
	1.2	Manufacturer's type designation	CQD12H-JC2	CQD12H-JC3	CQD12H-JC4	CQD14H-JC2	CQD14H-JC3	CQD14H-JC4	CQD16H-JC2	CQD16H-JC3	CQD16H-JC4	CQD20H-JC2	CQD20H-JC3	CQD20H-JC4	
	1.3	Drive: electric (battery or mains), diesel, petrol, fuel gas	Battery												
	1.5	Rated capacity/rated load	Q (kg/lb)	1200/2646			1400/3086			1600/3527			2000/4409		
	1.6	Load centre distance	c (mm/in)	600/23.6			600/23.6			600/23.6			600/23.6		
	1.8	Load distance, centre of drive axle to fork	x(mm/in)	390/15.4			390/15.4			330/13.0			330/13.0		
Weight	2.1	Service weight	Kg/lb	2850/6283			2850/6283			3000/6614			3250/7165		
	3.2	Tyre size, front	(mm/in)	285x100/11.2x3.9			285x100/11.2x3.9			285x100/11.2x3.9			343x108/13.5x4.3		
Tyres chassis	3.3	Tyre size, rear	(mm/in)	343x114/13.5x4.5			343x114/13.5x4.5			343x114/13.5x4.5			343x114/13.5x4.5		
	4.1	Tilt of mast/fork carriage forward/backward	α/β(°)	2/4			2/4			2/4			2/4		
Dimensions	4.2	Height, mast lowered	h <sub>1</sub> (mm/in)	2100/82.7			2100/82.7			2100/82.7			2100/82.7		
	4.3	Free lift	h <sub>2</sub> (mm/in)	340/13.4			340/13.4			340/13.4			340/13.4		
	4.4	Lift	h <sub>3</sub> (mm/in)	3000/118.1			3000/118.1			3000/118.1			3000/118.1		
	4.5	Height, mast extended	h <sub>4</sub> (mm/in)	3565/140.4			3565/140.4			3565/140.4			3565/140.4		
	4.7	Height of overhead guard	h <sub>6</sub> (mm/in)	2075/81.7			2075/81.7			2075/81.7			2075/81.7		
	4.20	Length to face of forks	l <sub>2</sub> (mm/in)	1802/70.9			1802/70.9			1802/70.9			1882/74.1		
	4.21	Overall width	b <sub>1</sub> (mm/in)	1240/48.8			1240/48.8			1240/48.8			1272/50.1		
	4.22	Fork dimensions ISO 2331	s/e/l(mm/in)	35×120×920/1.4×4.7×36.2			35×120×920/1.4×4.7×36.2			35×120×920/1.4×4.7×36.2			40×120×1070/1.6×4.7×42.1		
	4.25	Distance between fork-arms	b <sub>5</sub> (mm/in)	220/8.735.3			220/8.735.3			220/8.735.3			220/8.735.3		
	4.28	Reach distance	l <sub>4</sub> (mm/in)	602/23.7			602/23.7			542/21.3			542/21.3		
	4.32	Ground clearance, centre of wheelbase	m <sub>2</sub> (mm/in)	70/2.8			70/2.8			70/2.8			70/2.8		
	4.34.1	Aisle width for pallets 1000 x 1200 crossways	A <sub>st</sub> (mm/in)	2826/111.3			2826/111.3			2878/113.3			2958/116.5		
	4.34.2	Aisle width for pallets 800 x 1200 lengthways	A <sub>st</sub> (mm/in)	2602/102.4			2602/102.4			2637/103.8			2717/107.0		
	4.35	Turning radius	W <sub>a</sub> (mm/in)	1675/65.9			1675/65.9			1675/65.9			1775/69.9		
Performance Data	5.1	Travel speed, laden	km/h (mph)	10.2/6.3			10.2/6.3			10.2/6.3			10.2/6.3		
	5.2	Lift speed, laden	m/s (ft/min)	0.26/51.2			0.26/51.2			0.22/43.3			0.21/41.3		
	5.8	Max. gradeability, laden	%	10			10			10			10		
Electric engine	6.1	Drive motor rating S2 60 min	kW/hp	5.5 AC/7.4 AC		6.5 AC/8.7 AC		5.5 AC/7.4 AC		6.5 AC/8.7 AC		5.5 AC/7.4 AC		6.5 AC/8.7 AC	
	6.2	Lift motor rating at S3 15%	A <sub>st</sub> (mm/in)	12.8 AC/17.2 AC		8.6 DC/11.5 DC		12.8 AC/17.2 AC		8.6 DC/11.5 DC		12.8 AC/17.2 AC		8.6 DC/11.5 DC	
		Battery type		D-400B		D-400B		D-400B		D-500		D-500		D-500	
	6.4	Battery voltage, nominal capacity K5	V/Ah	48/400		48/400		48/400		48/500		48/500		48/500	
	6.5	Battery weight	kg/lb	760/1676		760/1676		760/1676		900/1984		900/1984		900/1984	
8.1	Type of drive control		AC		AC		AC		AC		AC		AC		
9.1	Manufacturer/Type		CURTIS		CURTIS		CURTIS		CURTIS		CURTIS		CURTIS		
Addition data	10.1	Operating pressure for attachments	bar	145		145		145		145		145		145	

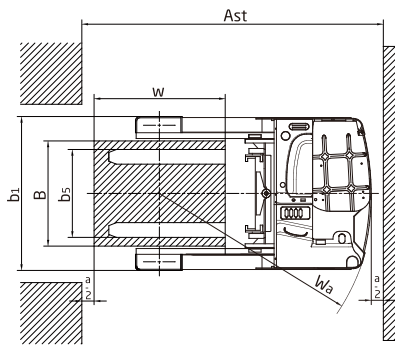
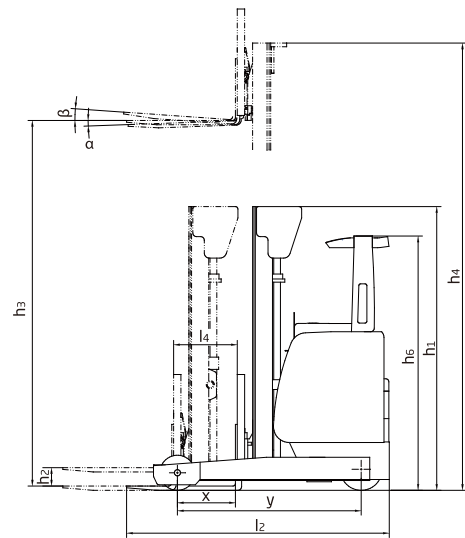
1.Special lifting height available (2.7m,3.5m,3.6m,4m,4.3m,4.5m,4.8m,5m,5.5m,6m,6.5m,7m,7.5m, 8m,8.5m).

2.Attachment available.

3.Battery charger available.

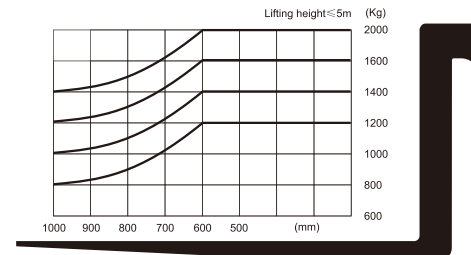
4.The specification in this table are for standard models only. For further information please contact us.

5.Specification are subject to change without notice.



$$A_{st} = \sqrt{(W-X)^2 + (B/2)^2} + W_a + a$$

a: safety clearance  
B: pallet width  
W: pallet length



## 1.2-2.0t Mast Specification:

Type	Model	Max. fork height	Overall height		Free lift		Tilt range		Capacity				Tilting method
			Lowered	Extended	With backrest		FWD	RWD	Load Capacity at 600mm/23.6inch				
					1.2t/2646lb ~ 1.6t/3527lb	2.0t/4409lb			CQD12H	CQD14H	CQD16H	CQD20H	
Wide view mast	1.4QM/ZQM	mm/in	mm/in	mm/in	mm/in	mm/in	(°)	(°)	Kg/lb	Kg/lb	Kg/lb	Kg/lb	Mast tilting
		2700/106.3	1925/75.8	3655/143.9	335/13.2	340/13.4	2	4	1200/2646	1400/3086	1600/3527	2000/4409	
		3000/118.1	2075/81.7	3955/155.7	335/13.2	340/13.4	2	4	1200/2646	1400/3086	1600/3527	2000/4409	
		3300/129.9	2225/87.6	4255/167.5	335/13.2	340/13.4	2	4	1200/2646	1400/3086	1600/3527	2000/4409	
		3500/137.8	2325/91.5	4455/175.4	335/13.2	340/13.4	2	4	1200/2646	1400/3086	1600/3527	2000/4409	
		3600/141.7	2375/93.5	4555/179.3	335/13.2	340/13.4	2	4	1200/2646	1400/3086	1600/3527	2000/4409	
		4000/157.5	2625/103.3	4955/195.1	335/13.2	340/13.4	2	4	1200/2646	1400/3086	1600/3527	2000/4409	
		4300/169.3	2790/109.8	5255/206.9	335/13.2	340/13.4	2	4	1200/2646	1400/3086	1600/3527	2000/4409	
		4500/177.2	2900/114.2	5455/214.8	335/13.2	340/13.4	2	4	1200/2646	1400/3086	1600/3527	2000/4409	
		4300/169.3	2085/82.1	5255/206.9	1270/50.0	1140/44.9	2	4	1200/2646	1400/3086	1600/3527	2000/4409	
Wide view full free Triplex mast	1.4qm/ZQM	mm/in	mm/in	mm/in	mm/in	mm/in	(°)	(°)	Kg/lb	Kg/lb	Kg/lb	Kg/lb	Fork carriage tilting
		4500/177.2	2165/85.2	5455/214.8	1275/50.2	1220/48.0	2	4	1200/2646	1400/3086	1600/3527	2000/4409	
		4800/189.0	2265/89.2	5755/226.6	1375/54.1	1320/52.0	2	4	1200/2646	1400/3086	1600/3527	2000/4409	
		5000/196.9	2315/91.1	5955/234.4	1475/58.1	1370/53.9	2	4	1200/2646	1400/3086	1600/3527	2000/4409	
		5500/216.5	2490/98.0	6455/254.1	1625/64.0	1545/60.8	2	4	1100/2425	1300/2866	1500/3307	1900/4189	
		6000/236.2	2665/104.9	6955/273.8	1775/69.9	1720/67.7	2	5	1000/2205	1200/2646	1400/3086	1800/3968	
		6500/255.9	2815/110.8	7455/293.5	1975/77.8	1870/73.6	2	5	900/1984	1100/2425	1300/2866	1600/3527	
		7000/275.6	2975/117.1	7955/313.2	2155/84.8	2030/79.9	2	5	850/1874	1000/2205	1200/2646	1400/3086	
		7500/295.3	3145/123.8	8455/332.9	2315/91.1	2200/86.6	2	5	750/1653	900/1984	1100/2425	1200/2646	
		8000/315.0	3310/130.3	8955/352.6	2485/97.8	2365/93.1	2	5	600/1323	700/1543	900/1984	1000/2205	
8500/334.6	3510/138.2	9455/372.2	2655/104.5	2565/101.0	2	5	450/992	500/1102	700/1543	800/1764			