

**MAX-8**

V2107.02



# MAX-8

Excellent Performances & Reliability

## CPCD15-18T8

T8 series 1.5-1.8t forklift

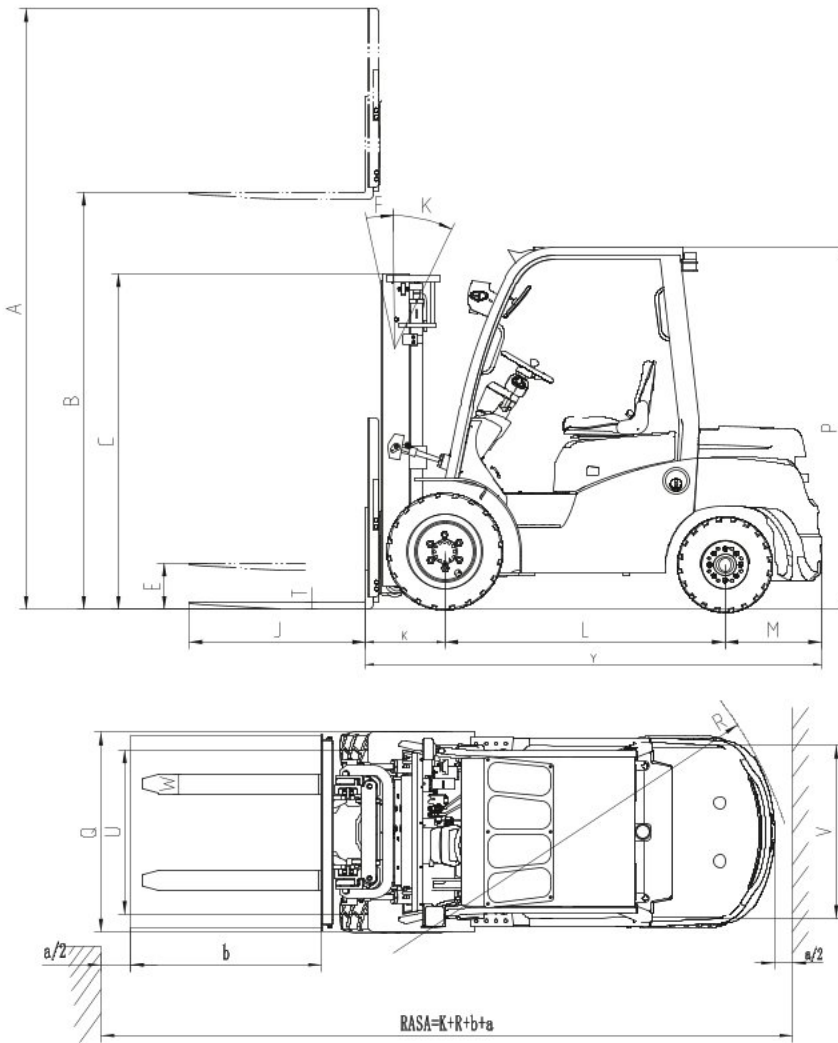
EP EQUIPMENT CO.,LTD  
[www.ep-ep.com](http://www.ep-ep.com)



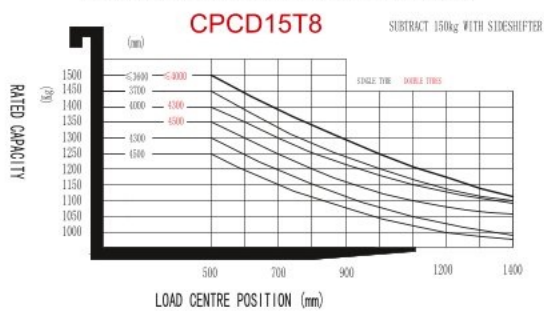
1.5-1.8t T8 series mast: (pneumatic)

Type	Model	Overall height				Free lift		Front Overhang		Tilt range		Capacity			
		Max. fork height	Lowered	Extended		Without backrest	With backrest	1.5t	1.8t	FWD	BWD	Load capacity at 500 mm			
				Without backrest	With backrest							Single tire		Double tire	
		mm	mm	mm	mm	mm	mm	mm	mm	Deg	Deg	1.5t	1.8t	1.5t	1.8t
Wide view mast	2W200	2000	1495	2585	2955	120	120	420	420	6	12	1500	1800	1500	1800
	2W250	2500	1745	3085	3455	120	120	420	420	6	12	1500	1800	1500	1800
	2W270	2700	1845	3285	3655	120	120	420	420	6	12	1500	1800	1500	1800
	2W300	3000	1995	3585	3955	120	120	420	420	6	12	1500	1800	1500	1800
	2W330	3300	2145	3885	4255	120	120	420	420	6	12	1500	1800	1500	1800
	2W350	3500	2245	4085	4455	120	120	420	420	6	12	1500	1800	1500	1800
	2W360	3600	2295	4185	4555	120	120	420	420	6	12	1500	1800	1500	1800
	2W400	4000	2545	4585	4955	120	120	420	420	6	12	1400	1700	1500	1800
	2W430	4300	2695	4885	5255	120	120	420	420	6	6	1300	1600	1400	1700
wide view full 2-stage mast	2F250	2500	1790	3105	3455	1045	765	420	420	6	12	1500	1800	1500	1800
	2F270	2700	1890	3305	3655	1145	865	420	420	6	12	1500	1800	1500	1800
	2F300	3000	2040	3605	3955	1345	1105	420	420	6	12	1500	1800	1500	1800
	2F330	3300	2190	3905	4255	1495	1165	420	420	6	12	1500	1800	1500	1800
	2F360	3600	2340	4205	4555	1645	1315	420	420	6	12	1500	1800	1500	1800
	2F400	4000	2540	4605	4955	1815	1565	420	420	6	12	1400	1700	1500	1800
wide view full 3-stage mast	3F430	4300	1965	5070	5255	1425	1080	440	440	6	6	1250	1500	1350	1600
	3F450	4500	2045	5130	5465	1485	1140	440	440	6	6	1200	1400	1300	1500
	3F480	4800	2160	5445	5755	1575	1230	440	440	6	6	1100	1300	1200	1400
	3F500	5000	2210	5605	5955	1665	1320	440	440	6	6	1050	1200	1150	1300
	3F550	5500	2375	6120	6455	1825	1480	440	440	3	6	/	/	950	1100
	3F600	6000	2600	6695	6955	1975	1630	440	440	3	6	/	/	750	900

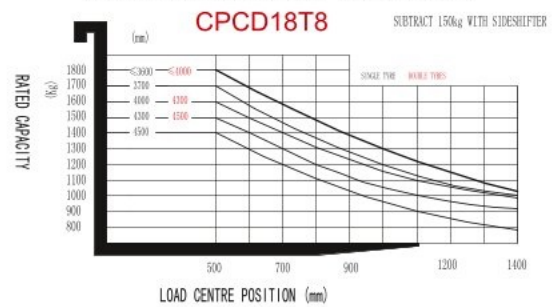
Note:1 . With sideshifter minus 150Kg, with integral sideshifter minus 100Kg.



RATED CAPACITIES AND LOAD CENTERS GRAPH



RATED CAPACITIES AND LOAD CENTERS GRAPH



## VÝBAVA

Options		15/18T8
1	Fork length	○
2	Fork extension	○
3	Folded fork	○
4	Imported diesel engine	○
5	Import Gasoline Engine	○
6	LPG system	○
7	High exhaust	○
8	Dual air cleaners or special air cleaner	○
9	Solid rubber tire	○
10	No marking solid tire	○
11	Overhead guard	●
12	Mast options	○
13	Attachments	○
14	Integrated side shift	○
15	Cockpit	●
16	heater	○
17	Front windshield with wiper	○
18	Rear windshield with wiper	○
19	Fan	○
20	Full steel cabin room	○
21	LED front light	●
22	Rear working LED light	○
23	Fire extinguisher	○
24	Suspension seat	○
25	Seat switch	●
26	Warning light	●
27	Insulation mat	○
28	Double front tyre	○
29	OPS system	○

Note: ● standard ○ option — NA