

MAX-8

V1910.01



MAX-8

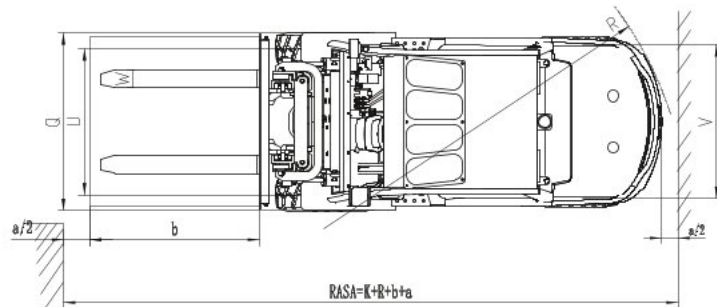
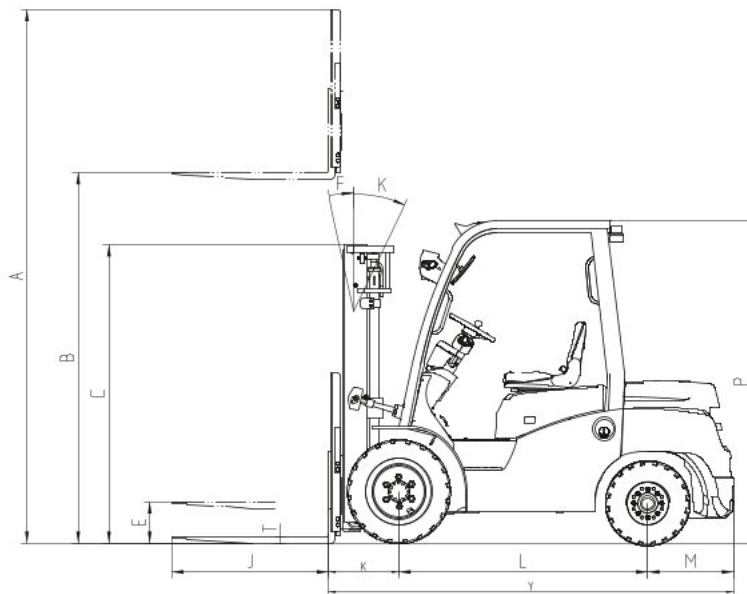
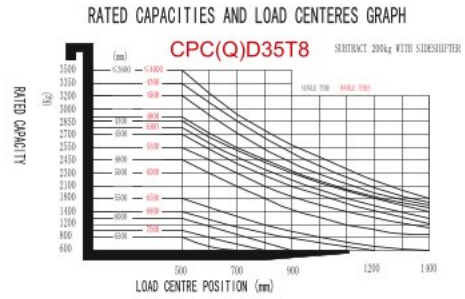
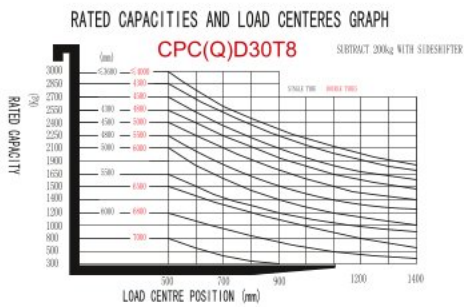
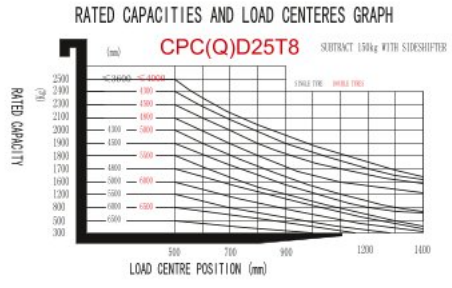
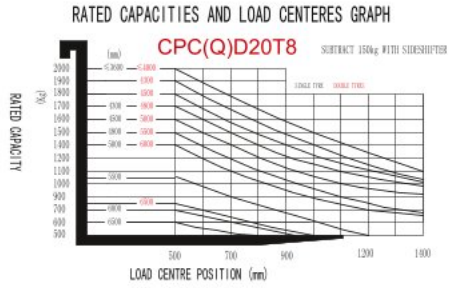
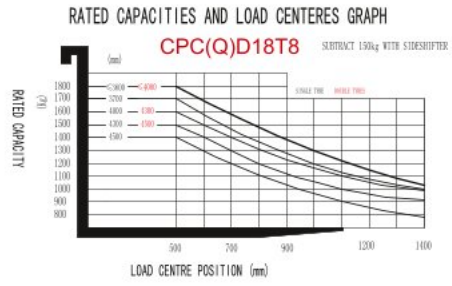
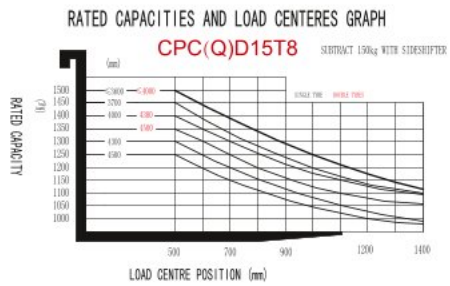
Excellent Performances & Reliability

CPC(Q)D15/18/
20/25/30/35T8

T8 series 1.5–3.5t forklift

EP EQUIPMENT CO.,LTD
www.ep-ep.com





VÝBAVA

Options	15/18T8	20/25T8	30T8	35T8
1 Fork length	○	○	○	○
2 Fork extension	○	○	○	○
3 Folded fork	○	○	○	○
4 Imported diesel engine	○	○	○	○
5 Import Gasoline Engine	○	○	○	○
6 LPG system	○	○	○	○
7 High exhaust	○	○	○	○
8 Dual air cleaners or special air cleaner	○	○	○	○
9 Solid rubber tire	○	○	○	○
10 No marking solid tire	○	○	○	○
11 Overhead guard	●	●	●	●
12 Mast options	○	○	○	○
13 Attachments	○	○	○	○
14 Integrated side shift	○	○	○	○
15 Cockpit	●	●	●	●
16 heater	○	○	○	○
17 Front windshield with wiper	○	○	○	○
18 Rear windshield with wiper	○	○	○	○
19 Fan	○	○	○	○
20 Full steel cabin room	○	○	○	○
21 LED front light	●	●	●	●
22 Rear working LED light	○	○	○	○
23 Fire extinguisher	○	○	○	○
24 Suspension seat	○	○	○	○
25 Seat switch	●	●	●	●
26 Warning light	●	●	●	●
27 Insulation mat	○	○	○	○
28 Double front tyre	○	○	○	○
29 OPS system	○	○	○	○

Note: ● standard ○ option — NA

